

INSTALLATION INSTRUCTIONS

6030ST3 Seated Shower Base

HIGH GLOSS ACRYLIC SURFACE

American Standard

Thank you for selecting American Standard...the benchmark of fine quality for over 100 years. To ensure that your installation proceeds smoothly--please read these instructions carefully before you begin.

BEFORE YOU BEGIN...

Local building codes vary by location. Observe all local plumbing and building codes.

Your new bath is shipped to you after careful inspection.

To insure maximum performance and pleasure from this product, please follow the instructions and cautions.

TOOLS & MATERIALS REQUIRED

TOOLS:

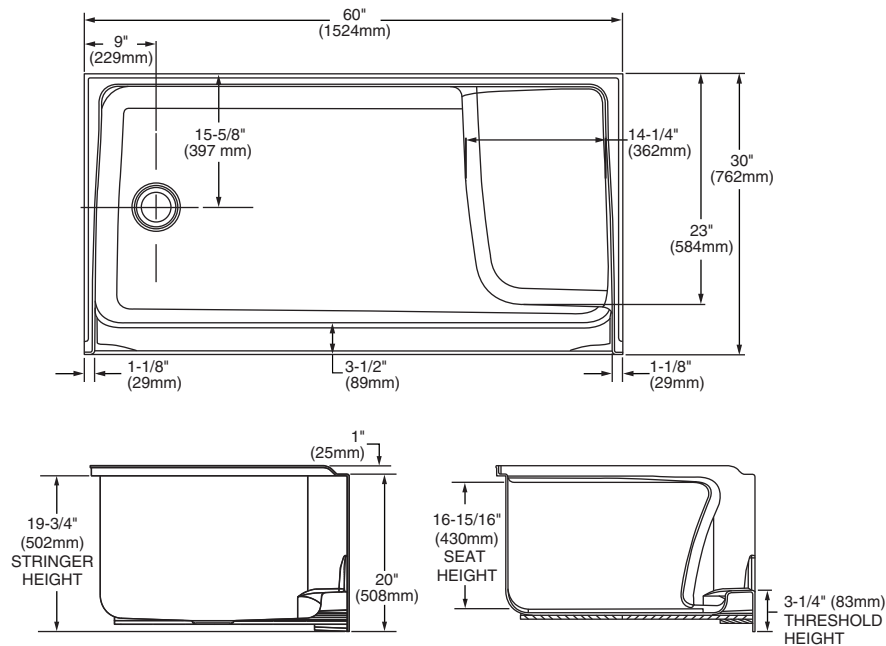
- Level
- Square
- Tape Measure
- Pipe Wrench
- Slip Joint Pliers
- Screw Driver
- Standard Woodworking Tools
- Personal Safety Equipment
- Caulking Gun

MATERIALS:

- Nails
- Plumber's Putty
- Silicone Sealant
- 1 x 3 or 2 x 4 Stringers
- Drop Cloth
- Mortar Mix or Grout

NOTE: Take extra care in handling surfaces of the bath. Use only non-abrasive cloths to avoid scratching.

ROUGH-IN INFORMATION: 6030ST3 SEATED SHOWER BASE (Left-Hand Outlet shown, Right-Hand Outlet opposite)



GENERAL SPECIFICATIONS FOR 6030ST3 SHOWER BASE

INSTALLED SIZE	60 x 30 x 20 in. (1524 x 762 x 508mm)
WEIGHT	55 Lbs. (25 Kg)
WEIGHT w/WATER	N/A
GAL. TO OVERFLOW	N/A
BATHING WELL AT SUMP	N/A
BATHING WELL AT RIM	N/A
WATER DEPTH TO OVERFLOW	N/A
FLOOR LOADING	28 Lbs./Sq.Ft. (137 Kgs/Sq.m)
(PROJECTED AREA)	
PTS.	9.8
CUBE (FT ²)	26

SAVE FOR FUTURE USE

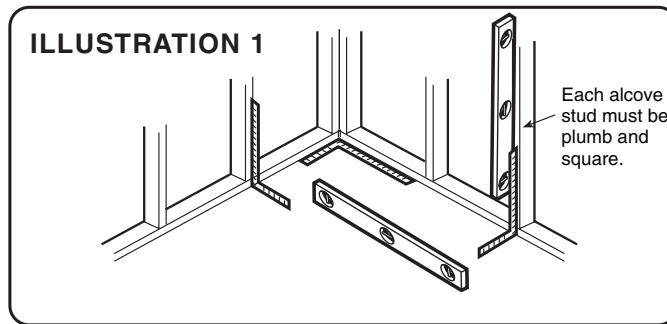
GENERAL INSTALLATION INFORMATION ...

1. SHOWER BASE MAY ONLY BE INSTALLED IN A RECESS TYPE INSTALLATION.
2. THIS SHOWER BASE IS NOT SELF-SUPPORTING AND MUST BE SUPPORTED ALONG ITS ENTIRE BOTTOM WITH MORTAR OR GROUT. STRINGERS WILL HELP LEVEL SHOWER BASE, BUT WILL NOT PROVIDE ADEQUATE SUPPORT.
3. TAKE EXTRA CARE WHEN DRIVING NAILS OR SCREWS TO AVOID DAMAGING THE SHOWER BASE.

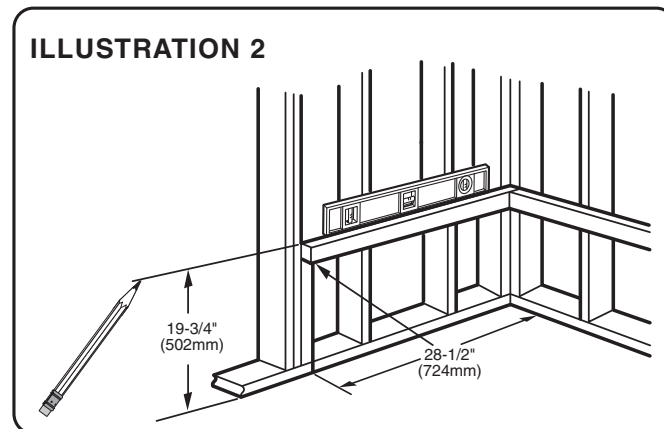
1 INSTALLATION AND FRAMING INSTRUCTIONS:

- A.) Locate studs as required. Ensure roughing-in dimensions are proper, plumb, and square. It is strongly recommended that an additional opening be provided for access to the drain components.

If using the 6030SW Wall Surround, adjust the studs according to the wall instructions.



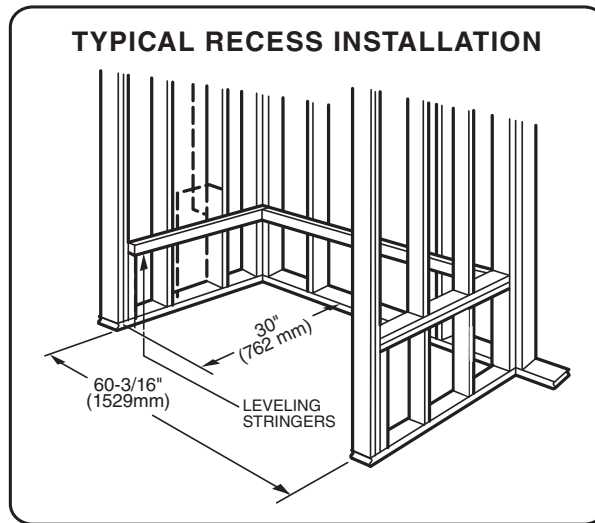
- B.) As shown in ILL. 2, mark the position of the underside of the deck by tracing a line onto the studs at the height indicated, using a level or other suitable straight edge.
- C.) With the top of the stringer touching the traced line, attach the stringer to the studs.



- D.) Install drain components to the shower base following the manufacturer's instructions. See the roughing-in drawing for suggested opening size and location dimensions.

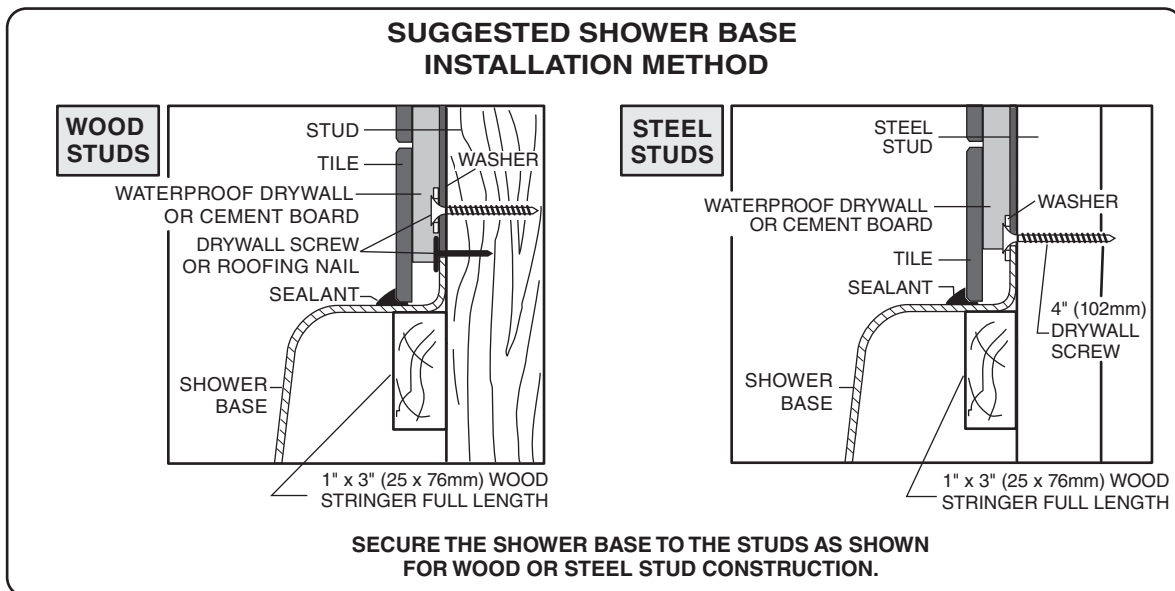
2

A.) **THIS SHOWER BASE MUST BE SUPPORTED ALONG IT'S ENTIRE BOTTOM.** We recommend the use of mortar as bedding material (sand is not recommended). Apply enough bedding to support the complete bottom of the shower base. After the bedding has been poured, and before it sets, position the shower base within the recess until the rim is leveled against the leveling stringers (see "Typical Recess Installation") shown below. The rim of the shower base **MUST NOT** support weight. Allow the bedding material to completely harden before applying weight to the rim or bottom of the shower base.



B.) Check level front to back and side to side, shim as necessary. To secure the shower base to wood studs, use drywall screws with flatwashers or roofing nails immediately above the flange of the shower base. To secure the shower base to steel studs, use 4" drywall screws and flatwashers.

TYPICAL FLANGE MOUNTING DETAIL



C.) Any finish material such as tile or wallboard must be self-supporting if it contacts the deck of the shower base. Flooring will be butted against the bottom of the shower base apron, also holding the shower base in place.

3

DRAIN CONNECTION

Using recommended drain opening, connect shower base drain to waste line. Tighten all drain joints securely.

POST INSTALLATION CLEAN-UP

Remove all construction debris from shower base. Tile grout can be removed with a wooden popsicle stick or tongue depressor. Do not use wire brushes or any other metal implement on shower base surface.

Post installation clean-up generally can be completed using warm water and liquid dishwashing detergent. Stubborn dirt or stains may be removed using granular Spic and Span® mixed with water.

Painter's naphtha can be used to remove excess adhesives and/or wet oil-base paint.

FEATURES OF YOUR NEW AMERICAN STANDARD ACRYLIC SEATED SHOWER BASE

Your new acrylic shower base has been molded in the newest plumbing fixture material available today. Acrylics are tough durable finishes that are simple and easy to care for. The colors have been formulated to match other American Standard fixtures and enhance your choice of bathroom decorations. The high gloss surface is resistant to impact and chemicals and will retain its lasting luster with proper care and maintenance.

AFTERCARE and CLEANING

- Always use temperate water with shower base. Excessively hot water may cause surface damage.
- Remove mat after use and hang to dry. Allowing mat to dry in the shower base may cause surface damage.
- Clean after use with a mild liquid household detergent cleaner. Abrasive cleaners such as Lestoil®, Lyso® Disinfectant (spray or concentrate), or Lysol® Basin, Tub and Tile Cleaner, Windex®, Mr. Clean®, Scrubbing Bubbles® Disinfectant Bathroom Cleaner, or cleaning products in aerosol cans should not be used.

HARSH CHEMICALS SHOULD NEVER BE USED ON ACRYLIC SURFACES.

- Do not use wire brushes, knives or sharp objects to remove stains, cigarette tar deposits, or other surface blemishes.
- Abrasive cleaners or powders must not be used, since they will dull the surface. If the glossy surface loses its sheen, dulled areas can be restored by rubbing with a white polishing compound and waxing with a "liquid wax."
- **Do not wax areas where you walk or stand.**
- Do not allow nail polish remover, acetone, dry cleaning fluid, paint remover or other solvents to come into contact with the surface.
- Clean the surrounding surface immediately after using caustic drain cleaners.
- Burning cigarettes will damage the surface.
- Should damage to the fixture occur, repairs can be made quickly and easily. Your distributor or builder can provide details.

SPIC AND SPAN® IS A REGISTERED TRADEMARK OF PROCTER & GAMBLE

AS America, Inc. Limited Lifetime Warranty for Shower Bases

AS America, Inc. ("American Standard") warrants to the original consumer purchaser that it will, at its option, repair or replace this shower base – American Standard, in its sole judgment, to be defective under normal residential use and maintenance so long as it is owned by the original consumer purchaser.

To activate this limited warranty, the purchaser must go online to our website at www.americanstandard-us.com/warranty to register their shower base within thirty (30) days of purchase.

In no event will American Standard be liable for the cost of repair or replacement of any installation materials including but not limited to tile, marble, etc.

This limited warranty does not apply to Commercial Installations. The warranty for Commercial Installations is three (3) years.

This limited warranty DOES NOT COVER the following:

1. Defect or damages arising from shipping, installation, alterations, accidents, abuse, misuse, lack of proper maintenance and cleaning as directed in the Installation Instruction Manual and use of other than genuine American Standard replacement parts, in all cases whether caused by a plumbing contractor, service company, the owner or any other person.
2. Deterioration through normal wear and tear and the expense of normal maintenance.
3. Commercial application.
4. Options and accessories. American Standard's limited warranty on these items is **one year for parts only and excludes labor**. This one year limited warranty covers accessories manufactured by American Standard (e.g. aprons, drains, grab bars, heaters, trim kits) against defects of material or workmanship. Warranty coverage begins on the date the accessory was originally purchased by the owner.
5. Shipping cost for returning products for repairs or replacement under the limited warranty and labor or other cost incurred in connection with product removal or installation under this limited warranty.
6. ANY LIABILITY FOR CONSEQUENTIAL OR INCIDENTAL DAMAGES, ALL OF WHICH ARE HEREBY EXPRESSLY DISCLAIMED, OR THE EXTENSION BEYOND THE DURATION OF THIS LIMITED WARRANTY OF ANY IMPLIED WARRANTIES, INCLUDING THOSE OF MERCHANTABILITY OR FITNESS FOR AN INTENDED PURPOSE. (Some jurisdictions do not allow limitations on how long an implied warranty lasts, or the exclusion or limitation of incidental or consequential damages, so these limitations and exclusions may not apply to you.)
7. Responsibility for compliance with local code requirements. (Since local code requirements vary greatly, distributors, retailers, dealers, installation contractors and users of plumbing products should determine whether there are any code restrictions on the installation or use of a specific product.)

This limited warranty gives you specific legal rights. You may have other statutory rights that vary from state to state or from province to province, in which case this warranty does not affect such statutory rights.

For service under this warranty, it is suggested that a claim be made through the contractor or dealer from or through whom the product was purchased, or that a service request (including a description of the product model and of the defect) be sent to the following address:

In the United States:
American Standard Brands
1 Centennial Ave.
Piscataway, New Jersey 08854
Attention: Director of Consumer Affairs

For residents of the United States, warranty information may also be obtained by calling the following toll free number: (800) 442-1902
www.americanstandard.com

In Canada:
AS Canada ULC
5900 Avebury Rd.
Mississauga, Ontario
Canada L5R 3M3

Toll Free: (800) 387-0369
www.americanstandard.ca

In Mexico:
American Standard B&K Mexico
S. de R.L. de C.V.
Via Morelos #330
Col. Santa Clara
Ecatepec 55540 Edo. Mexico
Toll Free: 01-800-839-1200
www.americanstandard.com.mx